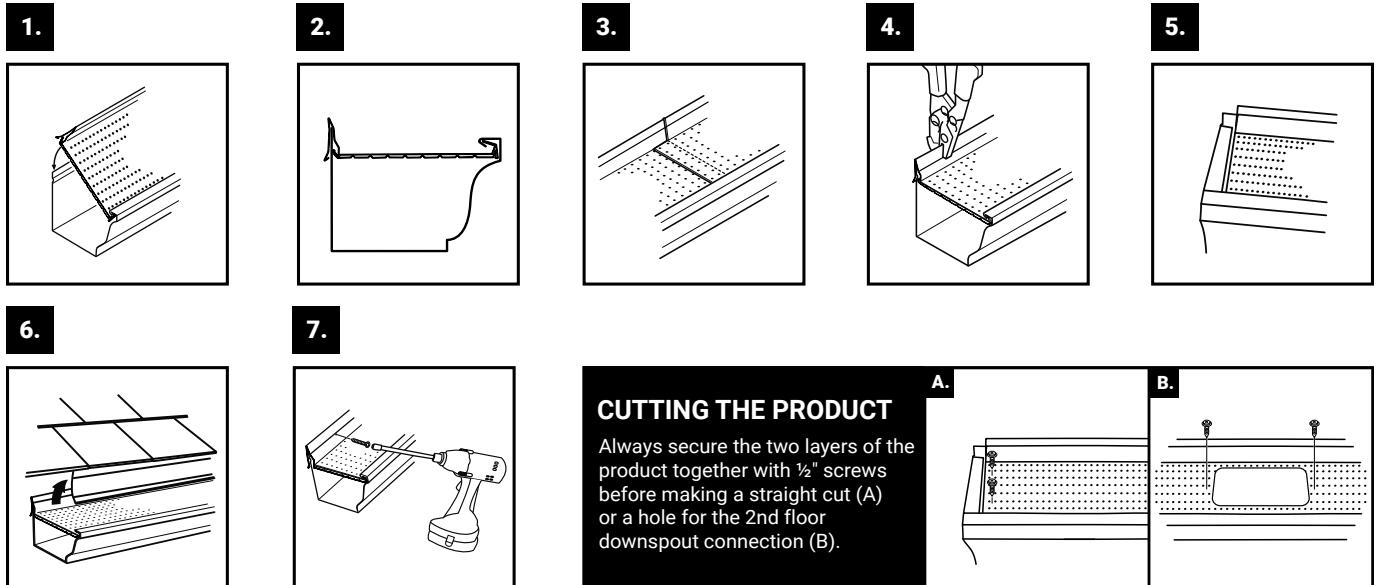




### INSTALLATION DOUBLEPRO™ MICROFILTRATION CONTINUOUS HANGER™

1. Insert the front of the DoublePro inside the front of the eavestrough.
2. Fit the back of the DoublePro onto the back of the eavestrough.
3. Make sure that each section of DoublePro overlaps perfectly.
4. Using an end cap crimping tool, pinch the back of the DoublePro and the eavestrough every 3 feet (1 m) for greater stability.
5. Stop the DoublePro sections inside the end cap in order to prevent water from overflowing.
6. Insert the back of the eavestrough under the drip edge (flashing).
7. Screw the back of the DoublePro into the fascia board every 24" (60 cm) using the self-sealing screws provided.
8. Cut a hole into the DoublePro where the downspout connected to the upper eavestrough touches the surface. Seal the outer edge of the downspout with sealant.

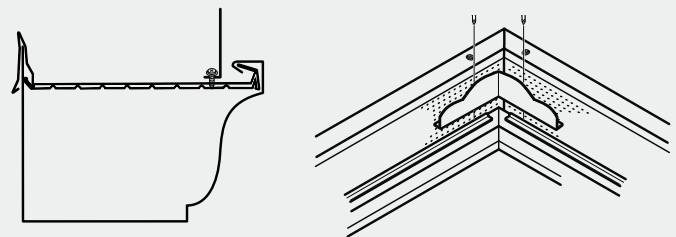


#### CUTTING THE PRODUCT

Always secure the two layers of the product together with ½" screws before making a straight cut (A) or a hole for the 2nd floor downspout connection (B).

#### CORNER

1. Stop the sections of the DoublePro 4" (10.2 cm) from corners, leaving a space to apply the eavestrough sealing material.
2. Use an Alu-Rex prefab corner.
3. Make sure the prefab corner overlaps the DoublePro on both sides.



**IMPORTANT:** For inside corners and valleys, install a water diverter right on the DoublePro.

More instructions on corners' box