

## 5 IN. MICROFILTRATION CONTINUOUS HANGER FOR GUTTERS

### PRODUCT

- Product for new rain gutters
- Protects from snow and ice
- Supports 232 lbs. (105 kg)/linear foot
- Uniform support across the entire length
- Shell structure
- Lifetime anti-clog warranty
- Lifetime warranty on material and sturdiness
- Invisible from the ground
- Package contains:
  - 7.5' (2.29 m) x 24 pcs = 180' (54.86 m)
  - 200 screws (see description below)

### TOP-LAYER ALUMINUM

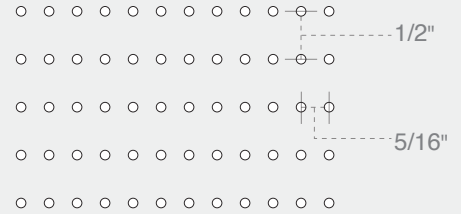
- Colour: Carbon Black
- Grade: 3105 H24
- Thickness: 0.0175" (including finish)

### BOTTOM-LAYER ALUMINUM

- Colour: Aluminum
- Grade: 3105 H24
- Thickness: 0.014" (including finish)

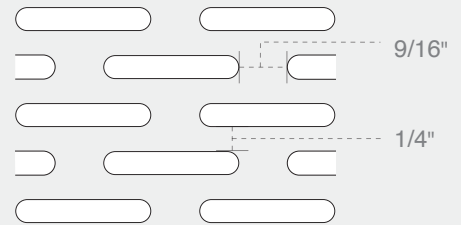
### TOP-LAYER PERFORATIONS

- 7/64" (2.8 mm) in diameter
- Drains 29.7" (754 mm) of water per hour
- Offers the perfect balance between maximum drainage and debris protection



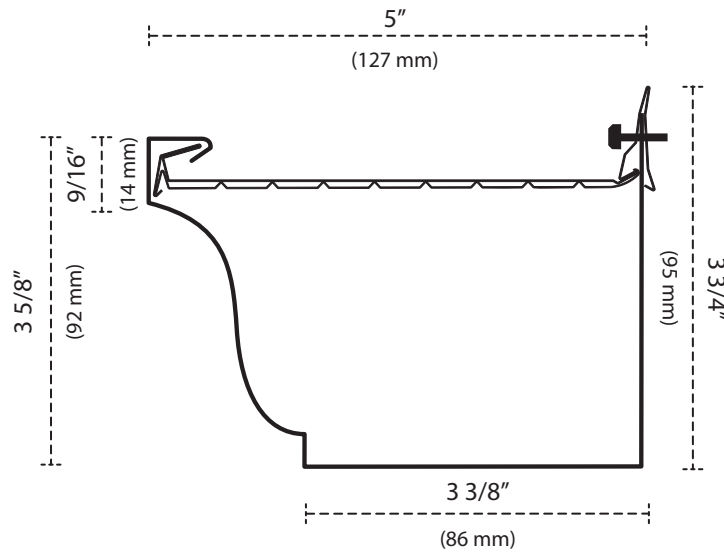
### BOTTOM-LAYER PERFORATIONS

- 1 1/4" (31.75 mm) by 1/4" (6.8 mm)
- Surface tension increases drainage
- Block access to fine debris



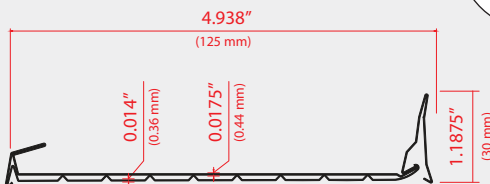
Ratio 1:2

### 5" GUTTER PROFILE



This product is protected by a number of patents.

### PROFIL



### SCREWS

- This hanger is installed with self-sealing screws made of zinc #10 -1 1/2" (38 mm) with 1/4" (6.4 mm) black hexagon heads and integrated rubber gaskets.
- Reinforces the gutter so it will stay in place year after year without needing to be removed or replaced.
- Reduces the risk of water seeping into the fascia.

