

M-5200

SPECIFICATION SHEET



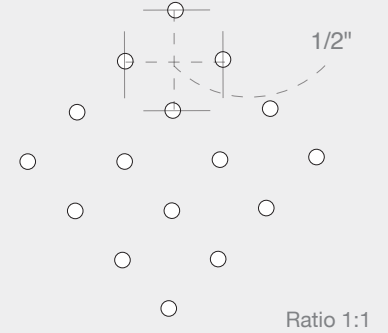
5 IN. CONTINUOUS HANGER FOR GUTTERS

PRODUCT

- Product for new rain gutters
- Protects from snow and ice
- Supports 232 lbs. (105 kg)/linear foot
- Uniform support across the entire length
- Shell structure
- 40-year anti-clog warranty
- Lifetime guarantee on material and sturdiness
- Invisible from the ground
- Package contains:
 - 7.5' (2.29 m) x 48 pcs = 360' (110 m)
 - 300 screws (see description below)

PERFORATIONS

- 7/64" (2.8 mm) in diameter
- Drains 29.7" (754 mm) of water per hour
- Offers the perfect balance between maximum drainage and debris protection



ALUMINUM

- Colour: Gold Backer
- Grade: 3105 H24
- Thickness: 0.0175" (including finish)

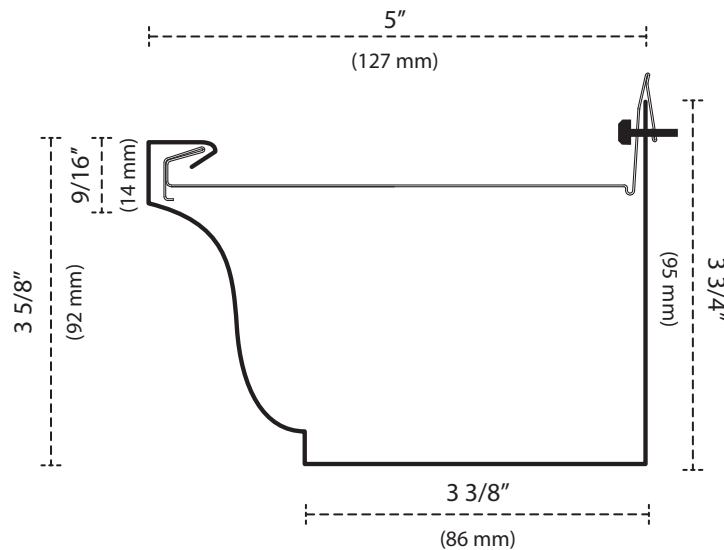


View the results of our independent drainage, resistance, and wind tunnel tests at www.alu-rex.com/en/tests.

Tolerances

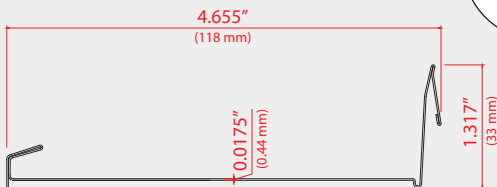
x.xxx" = +/- 0.005" (0.127 mm)
x.xxxx" = +/- 0.0005" (0.0127 mm)

5" GUTTER PROFILE



This product is protected by a number of patents.

PROFILE



SCREWS

- This hanger is installed with self-sealing screws made of zinc #10 -1½" (38 mm) with ¼" (6.4 mm) hexagon heads and integrated rubber gaskets.
- Reinforces the gutter so it will stay in place year after year without needing to be removed or replaced.
- Reduces the risk of water seeping into the fascia.

