

M-5800

SPECIFICATION SHEET

t rex | XL®



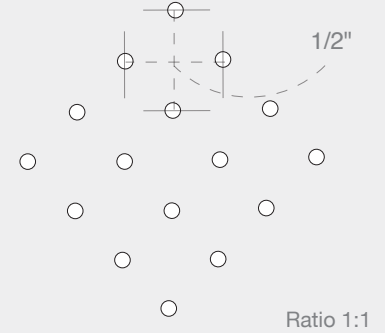
5 IN. CONTINUOUS HANGER FOR GUTTERS

PRODUCT

- Product for new rain gutters
- Protects from snow and ice
- Supports 340 lbs. (154 kg)/linear foot
- Uniform support across the entire length
- Shell structure
- Lifetime warranty on clog-free
- Lifetime guarantee on material and sturdiness
- Package contains:
 - 7.5' (2.29 m) x 20 pcs = 150' (46 m)
 - 100 screws (see description below)

PERFORATIONS

- 7/64" (2.8 mm) in diameter
- Drains 29.7" (754 mm) of water per hour
- Offers the perfect balance between maximum drainage and debris protection



ALUMINUM

- Grade: 3105 H24
- Thickness: 0.0215" (including finish)



View the results of our independent drainage, resistance, and wind tunnel tests at www.alu-rex.com/en/tests.

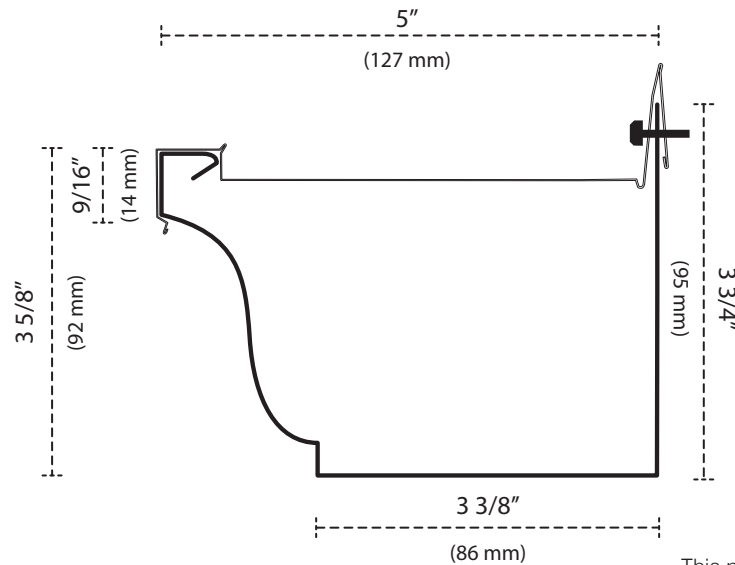
Tolerances

x.xxx" = +/- 0.005" (0.127 mm)
x.xxxx" = +/- 0.0005" (0.0127 mm)

AVAILABLE COLOURS

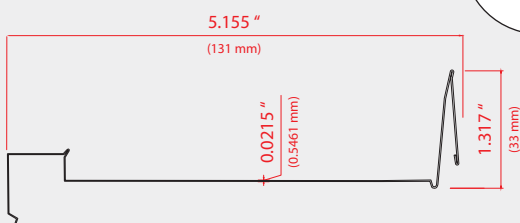
- A01
 A03
 A43
 A49
 A57
 A77
 A83
 A88
 A91
 A96

5" GUTTER PROFILE



This product is protected by a number of patents.

PROFILE



SCREWS

- This hanger is installed with self-sealing screws made of zinc #10 -1 1/2" (38 mm) with 1/4" (6.4 mm) hexagon heads and integrated rubber gaskets.
- Reinforces the gutter so it will stay in place year after year without needing to be removed or replaced.
- Reduces the risk of water seeping into the fascia.

