

M-7200

SPECIFICATION SHEET



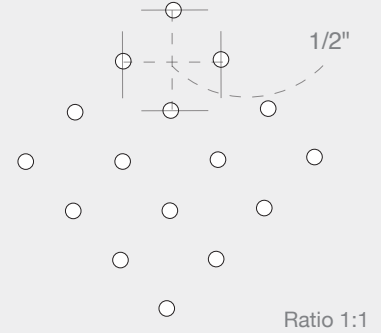
7 IN. CONTINUOUS HANGER FOR GUTTERS

PRODUCT

- Product for new rain gutters
- Protects from snow and ice
- Supports 232 lbs. (105 kg)/linear foot
- Uniform support across the entire length
- Shell structure
- 40-year anti-clog warranty
- Lifetime guarantee on material and sturdiness
- Invisible from the ground
- Package contains:
 - 7.5' (2.29 m) x 24 pcs = 180' (54 m)
 - 200 screws (see description below)

PERFORATIONS

- 7/64" (2.8 mm) in diameter
- Drains 38.3" (965 mm) of water per hour
- Offers the perfect balance between maximum drainage and debris protection



ALUMINUM

- Colour: Gold Backer
- Grade: 3105 H24
- Thickness: 0.0215" (including finish)

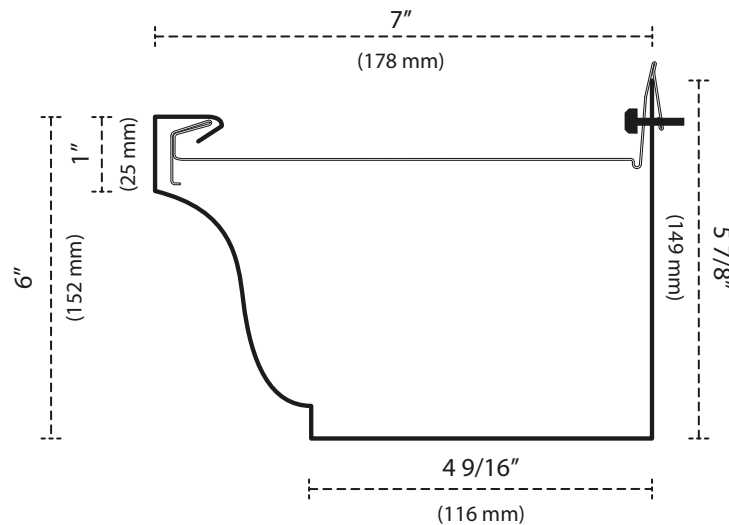


View the results of our independent drainage, resistance, and wind tunnel tests at www.alu-rex.com/en/tests.

Tolerances

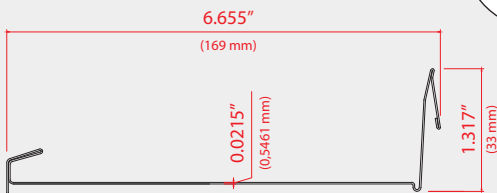
| |
|-----------------------------------|
| x.xxx" = +/- 0.005" (0.127 mm) |
| x.xxxx" = +/- 0.0005" (0.0127 mm) |

7" GUTTER PROFILE



This product is protected by a number of patents.

PROFILE



SCREWS

- This hanger is installed with self-sealing screws made of zinc #10 -1 1/2" (38 mm) with 1/4" (6.4 mm) hexagon heads and integrated rubber gaskets.
- Reinforces the gutter so it will stay in place year after year without needing to be removed or replaced.
- Reduces the risk of water seeping into the fascia.

