

MC-6100 gutter clean[®] SYSTEM

SPECIFICATION SHEET



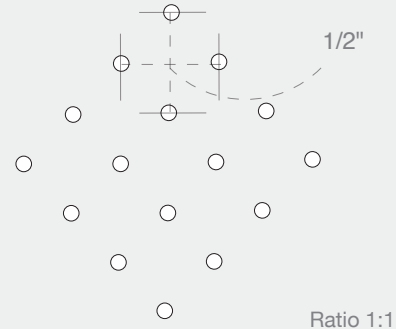
GUTTER PROTECTION FOR 6 IN. GUTTERS

PRODUCT

- Product for existing rain gutters
- Protects from leaves, debris, snow and ice
- Sturdy weatherproof structure
- Prevents leaks
- 40-year anti-clog warranty
- Package contains:
-7.5' (2.29 m) x 16 pcs = 120' (36.58 m)

PERFORATIONS

- 7/64" (2.8 mm) in diameter
- Drains 35.9" (911 mm) of water per hour on average
- Offers the perfect balance between maximum drainage and debris protection



COPPER

- Colour: Natural Copper
- Grade: C110 H03
- Thickness: 0.0175" (including finish)

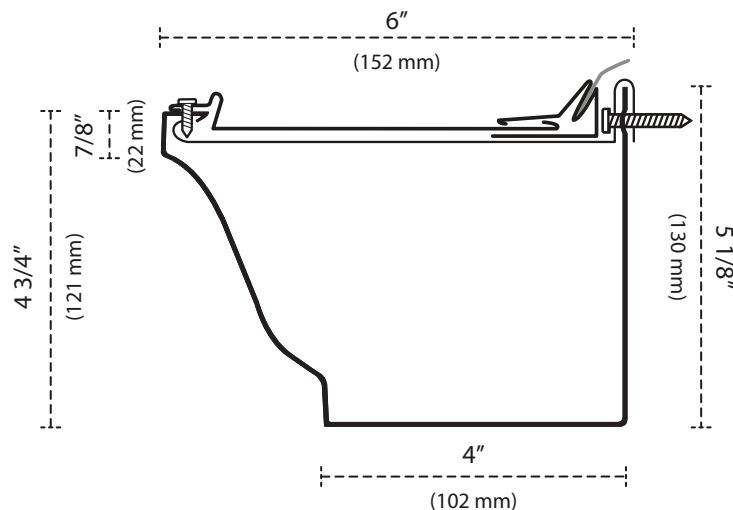


View the results of our independent drainage, resistance, and wind tunnel tests at www.alu-rex.com/en/tests.

Tolerances

x.xxx" = +/- 0.005" (0.127 mm)
x.xxxx" = +/- 0.0005" (0.0127 mm)

6" GUTTER PROFILE



This product is protected by a number of patents.

PROFILE



FLEX SEAL TECHNOLOGY

- Back of the gutter is airtight
- Resistant to UV rays and changes in temperature
- Protection against mold
- Unique patented technology

